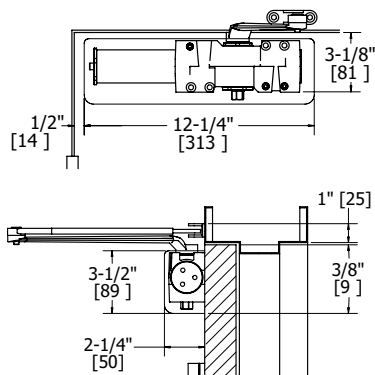




## 5100 SERIES APPLICATIONS

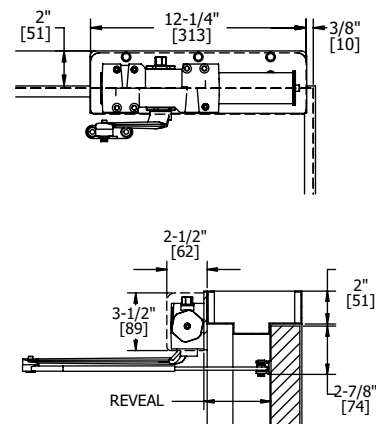
### Regular Arm Mount (Pull Side)

- Opening: Templating allows up to 120°  
 Hold Open: Hold Open points from 90° up to 120° with Hold Open arm  
 Frame Face: 1-1/4" (32 mm) minimum  
 Ceiling Clearance: 1-1/4" (32 mm) minimum  
 Top Rail:
  - Less than 3-3/4" (95 mm) requires drop plate, 5109
  - Drop plate requires 2" (51 mm) minimum
 Top Rail Clearance: 4" (102 mm) from the top of door



### Top Jamb Mount (Push Side)

- Opening: Templating allows up to 120°  
 Hold Open: Hold Open points 85° up to 120° with Hold Open arm  
 Frame Face: Less than 3-1/2" (89 mm) requires drop plate, 5115  
 Ceiling Clearance: Drop plate requires 4" (102 mm) minimum  
 Top Rail: Requires 1-3/8" (35 mm) minimum  
 Top Rail Clearance: 1-1/2" (38 mm) from the top of the door



### Parallel Arm Mount (Push Side)

- Opening: Templating allows up to 180°  
 Hold Open: Hold Open points from 90° up to 180° with Hold Open arm  
 Top Rail:
  - Standard hollow metal 5/8" frame stop
  - Less than 5-1/2" (140 mm) from the stop requires drop plate, 5110
  - Drop plate requires 2" (51 mm) minimum from the stop
 Top Rail Clearance: 6-1/4" (159 mm) from the top of door

